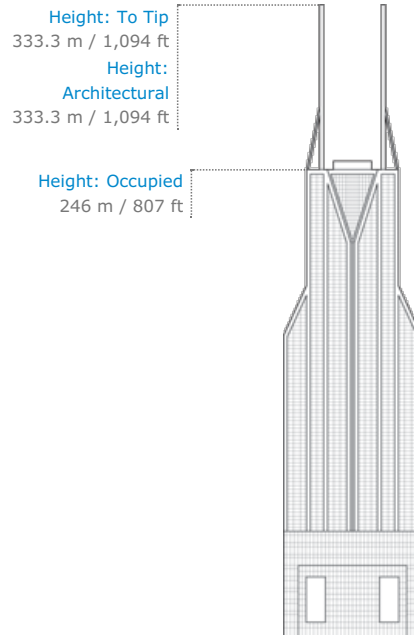
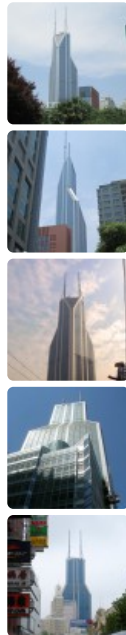


Shimao International Plaza



Click an image to view larger version.



Facts

Official Name	Shimao International Plaza
Structure Type	Building
Status	COM
Country	China
City	Shanghai
Street Address & Map	829 Nanjing Dong Lu, Huangpu
Building Function	hotel / office / retail
Structural Material	concrete
Construction Start	2001
Completion	2006

Rankings

Click arrows to view the next taller/shorter buildings

Global Ranking	#81 Tallest in the World	▲ ▼
Regional Ranking	#49 Tallest in Asia	▲ ▼
National Ranking	#41 Tallest in China	▲ ▼
City Ranking	#4 Tallest in Shanghai	▲ ▼

Companies Involved

Developer	Shimao Group
Architect	<ul style="list-style-type: none"> Design: Ingenhoven Overdiek und Partners Architect of Record: East China Architectural Design & Research Institute
Structural Engineer	<ul style="list-style-type: none"> Design: BuroHappold Engineering Engineer of Record: East China Architectural Design & Research Institute
MEP Engineer	<ul style="list-style-type: none"> Design: Parsons Brinckerhoff Consultants Private Limited
Main Contractor	Shanghai Construction Group
Other Consultant	<ul style="list-style-type: none"> Quantity Surveyor: Davis Langdon
Material Supplier	<ul style="list-style-type: none"> Sealants: Dow Corning Corporation

About Shimao International Plaza

Located in Shanghai's Huangpu District, Shimao International Plaza is at the center of the city's traditional urban core. The building lies on Nanjing Road, the largest commercial street in China with approximately 1.5 million daily users, and is situated next to the People's Square, the symbolic heart of urban Shanghai. The nearby People's Garden offers another attractive destination that draws people to the area. With its central location, Shimao International Plaza is a commanding presence in the city. Originally designed in 1995, the building is predecessor to the current wave of supertall skyscraper construction in China.

The building—unique for its repeated triangular geometry—consists of three distinct, interconnected architectural units: the main tower, a retail podium, and an open plaza. The northwestern and southwestern façades meet at an orthogonal point, while the eastern façade rises monolithically, with the rest of the tower hidden behind it. The building sets back and narrows as it rises, adding to its perceived height. The angles that are created through these setbacks augment the triangular design of the building. This pattern appears throughout the design: the two spires rising from the top of the building are held up by angular supports that share a triangular relationship with the roof, and a design accent beneath the spires is appropriately wedge-shaped.

Though clad in glass, light-colored accents showcase the building's form on all sides. At night, LED lights illuminate the tower's corners and spires, which allow the building, and its unique presence, to be displayed prominently on the skyline. As a visually distinctive tower that heralded the recent Chinese skyscraper construction boom, Shimao International Plaza has earned its status as a Shanghai landmark.

CTBUH Study Examines Tallest Buildings with Dampers

22 Aug 2018 – CTBUH Research

Top Company Rankings: The World's 100 Tallest Buildings

13 Oct 2016 – CTBUH Research

CTBUH / Nakheel Asia Tour Report

19-29 Apr 2007 – Tour Report

[More Initiatives](#) →

The Global Tall Building Picture: Impact of 2018

Jan 2019 – CTBUH Journal 2019 Issue I

The Global Tall Building Picture: Impact of 2017

Feb 2018 – CTBUH Journal, 2018 Issue I

Seismic Model Test of a Hybrid High-rise Building in Shanghai

Oct 2004 – CTBUH 2004 Seoul Conference

To submit more information or donate images for this project, please use our [submission portal](#).